

12W Constant Current

EIP012CXXXXLSD1L



■Approve

SELV CE



■Features

- Class II, SELV, independent
- Input Voltage 220-240VAC
- Protections: SCP/OLP/OVP/OTP
- Power Factor >0.9
- Efficiency ≥80%
- Support Leading edge(Triac) & trailing edge(ELV) dimmable
- 5 years warranty

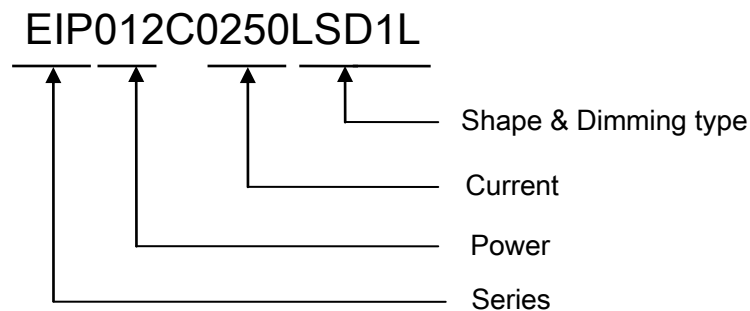
■Applications(Typ.)

- down light
- Pendant light

■Description

EIP012CXXXXLSD1L is a 12W constant current LED driver that operates from 198-264Vac input with 250mA to 700mA output current. With it's compact dimensions from 115x 45 X 27.5mm it is easy to integrate in down light and pendant light products. To ensure trouble-free operation, protection is provided against output short circuit and over Load.

■Model code



12W Constant Current

EIP012CXXXXLSD1L

■ Specification

Input	Rated input voltage	220-240VAC				
	Range of input voltage	198-264VAC				
	Frequency(Hz)	50/60 Hz				
	Power Factor	> 0.9@Full Load,220-240VAC				
	Input Current max	0.1A MAX. @Full load, 198Vac				
	Start-up time	< 0.5S				
	Unload Power Consumption	≤1W				
	Inrush Current	10A Max.				
	THD	< 20%@Full Load, 240VAC				
	Leakage Current	< 0.7mA(240VAC)				
Output	Constant Current Max.	250mA	350mA	500mA	...	700mA
	Unload voltage Max.	59VDC	46VDC	34VDC	...	25VDC
	Voltage Range(VDC)	32-48VDC	23-35VDC	16-24VDC	...	11.5-18VDC
	Rated power	12W Max.	12.3W Max.	12W Max.	...	12.6W Max.
	Current Accuracy	±5%@220-240VAC				
	Voltage Regulation	±5% @Full Load, 220-240VAC				
	Load Regulation	±5%@220-240VAC				
	Hold-up Time	1s max.@Full Load				
	Ripple& Noise *Note.2	≤±30%				
Efficiency(Typ.)	≥80%@Full Load, 240VAC					
Dimming	Dimmable	Leading edge & trailing edge dimmable				
	Dimming mode	EU: BERKER 2873 ; JUNG 225 NV DE; GIRA(226200/I01)				
		AU: CLIPSAL 32E450UDM/LM				
Dimming current range	10% ~ 100% for leading edge & 13% ~ 100% for trailing edge					
Protection	Over Load Protection	105-120%				
		Protection type: Auto Resume				
	Over Voltage Protection	> 59VDC	> 46VDC	> 34VDC	...	> 25VDC
		Protection type: Auto Resume				
Short circuit Protection	Protection type: Auto Resume					
Over temperature Protection	Protection type: Auto Resume					
Environment	Operating Temperature	-10°C...+50°C				
	tc	85°C				
	Storage Temperature	-20°C...+60°C				
	Life time	> 30,000h@ta=50°C				
	Humidity	20%-90%RH				
Others	Dimension	115X45X27.5(LXWXH)mm				
Safety & EMC	Safety standards	EN 61347-1; EN61347-2-13;				
	Withstand voltage	Input-Output : 3750V/5mA/1min				
	Isolation resistance	Input-Output : ≥4MΩ@500VDC				
	EMI	EN55015; EN61000-3-2 Class C; EN61000-3-3				
	EMS	EN 61547; EN 61000-4-2; EN 61000-4-5 —1000V;				
Note	1.All parameters NOT specially mentioned are measured at 240VAC input , full load and 25°C of ambient temperature. 2.Ripple & Noise are measured at 20MHz of bandwidth by using a 300mm twisted pair-wire terminated with a 0.1uF & 47 uF parallel capacitor. 3.Output current can be from 250mA to 700mA.Please see Model list below and contact EAGLERISE for details.					

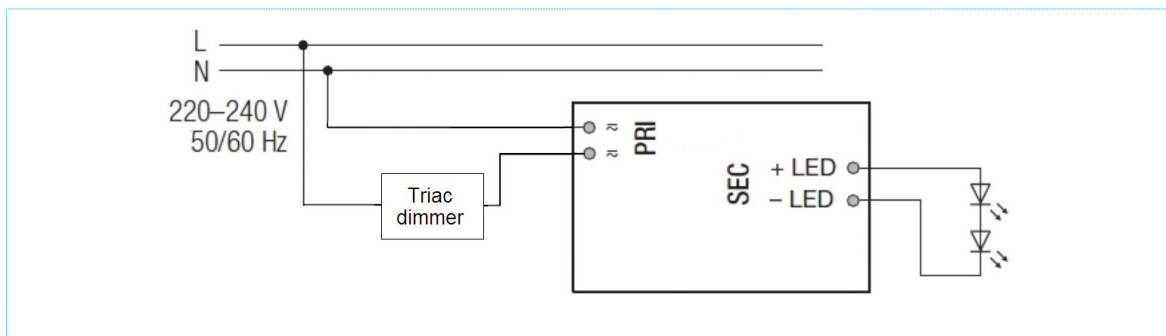
12W Constant Current

EIP012CXXXXLSD1L

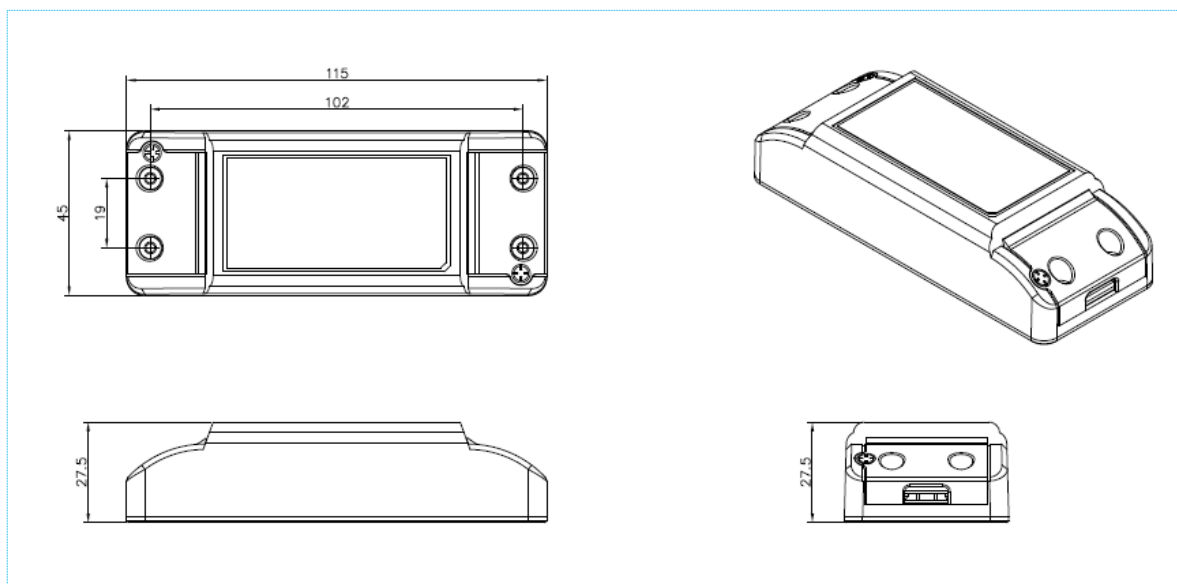
Model list

No.	Model number	Input			Output			
		Voltage (VAC)	Max.Current (A)	Frequency (Hz)	Constant current (mA)	Normal working voltage (VDC)	No load working voltage (VDC)	Max. P _{rated} (W)
1	EIP012C0250LSD1L	220-240	0,1	50/60	250	32-48	59	12
2	EIP012C0300LSD1L	220-240	0,1	50/60	300	26-40	50	12
3	EIP012C0350LSD1L	220-240	0,1	50/60	350	23-35	46	12.3
4	EIP012C0400LSD1L	220-240	0,1	50/60	400	20-30	40	12
5	EIP012C0450LSD1L	220-240	0,1	50/60	450	17.5-27	35	12.2
6	EIP012C0500LSD1L	220-240	0,1	50/60	500	16-24	34	12
7	EIP012C0550LSD1L	220-240	0,1	50/60	550	14.5-22	32	12.1
8	EIP012C0600LSD1L	220-240	0,1	50/60	600	13-20	30	12
9	EIP012C0650LSD1L	220-240	0,1	50/60	650	12-18.5	25	12
10	EIP012C0700LSD1L	220-240	0,1	50/60	700	11.5-18	25	12.6

Wiring diagram



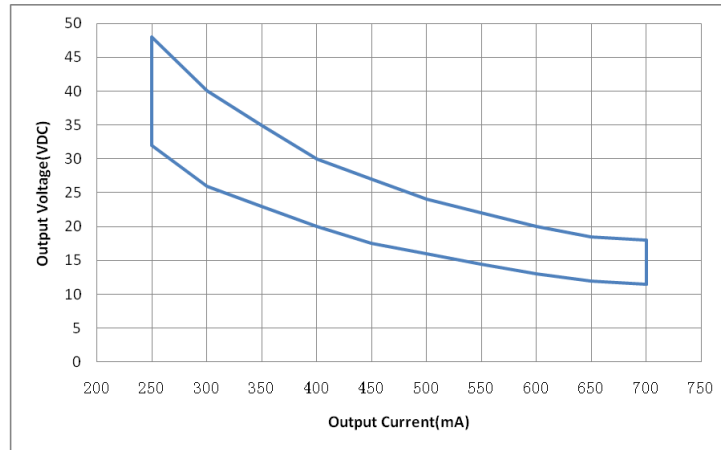
2D diagram



12W Constant Current

EIP012CXXXXLSD1L

■ Operating window



— Operating window 100%